

Product Code: PA130100RBK

Description: Right (& Left) Angled Rewirable IEC Lock+ Low Smoke Zero Halogen Appliance Outlet (Black)



General Information

| | |
|--------------------------------------|---|
| Rating | 10A Max / 250V~ (Europe & Australia) 15A Max / 250V~ (USA) 125V~ / 250V~ (Japan) |
| Materials | Outer Body & Chassis: Nylon (PA66) LSZH (RAL 9004 Signal Black) Cable Restraint: Nylon (PA66) Housing Screws & Cable Restraint Screws: Steel, Nickel Plated Lock Pivot Lever: Polycarbonate Terminal Block & Sliding Terminal: Brass Terminal Screws: Steel, Yellow Passivated Spring: Spring Steel Locking Blade: Spring Steel Zinc Plated Red Handle: Polycarbonate LSZH (RAL 3020 Traffic Light Red) |
| Terminal Capacity | 3 Core 1.5mm ² Maximum, 2.5mmø Terminal Diameter |
| Torque Value Terminal Screws | 0.4Nm, Strain Relief Clamping Screws; 0.3Nm |
| Dielectric Strength | 1.5 kV Max |
| Withdrawal Force | > 100N |
| Ambient Operating Temperature | 25°C |
| Flammability Rating | Equivalent to UL94V-0 |
| Protection Class | Suitable for appliances with protection Class I according to IEC EN 61140 |

| | |
|-----------------|---|
| Features | Rewireable Housing can be 'flipped' to become an Up Angled Connector Fits any standard C14 outlet Anti-Vibrate Integral plug retention feature Easy pull handle Slotted and Cross head housing screws Appliance inlet suitable for cold conditions |
|-----------------|---|

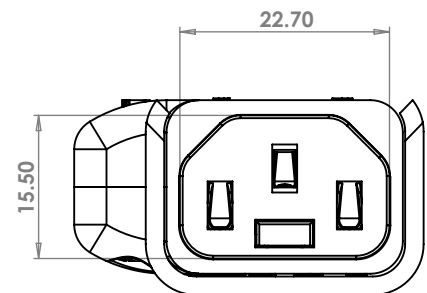
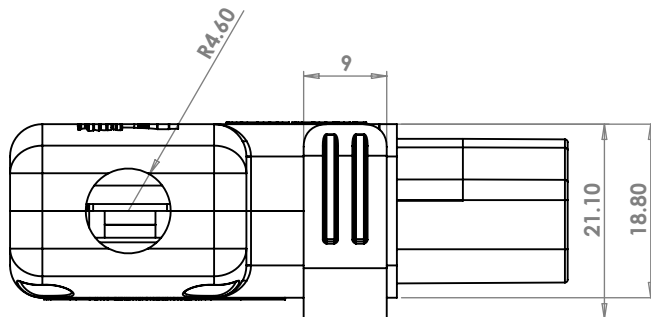
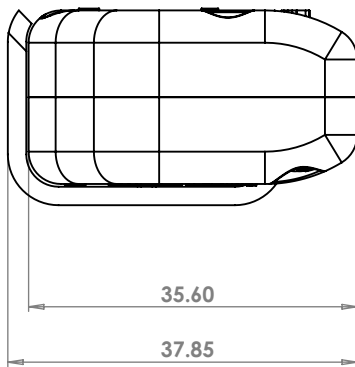
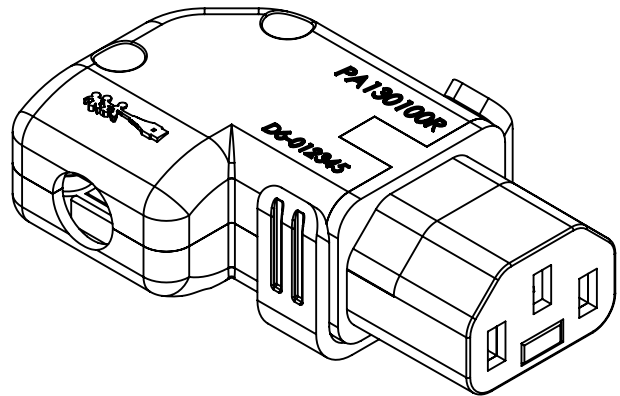
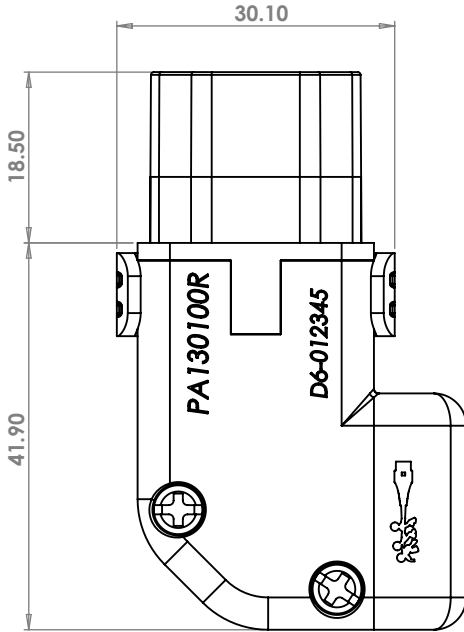
| | |
|------------------|---|
| Standards | EN 60320-1: 2015 (KEMA-KEUR File: 35-102059) UL 60320-1 (UL File E475619) CSA C22.2 60320-1-11 (UL File E475619) AS/NZS 60320.1 (SAA File 151920) Appendix 4 Section 1, Section 6 and Appendix 10 Chapter 5 (File JET7270-43004-1001) |
|------------------|---|



Technical Datasheet

Product Code: PA130100RBK

Description: Right (& Left) Angled Rewirable IEC Lock+ Low Smoke Zero Halogen Appliance Outlet (Black)



Product Code: PA130100DBK

Description: Down (& Up) Angled Rewirable IEC Lock+ Low Smoke Zero Halogen Appliance Outlet (Black)



General Information

| | |
|--------------------------------------|---|
| Rating | 10A Max / 250V~ (Europe & Australia) 15A Max / 250V~ (USA) 125V~ / 250V~ (Japan) |
| Materials | Outer Body & Chassis: Nylon (PA66) LSZH (RAL 9004 Signal Black) Cable Restraint: Nylon (PA66) Housing Screws & Cable Restraint Screws: Steel, Nickel Plated Lock Pivot Lever: Polycarbonate Terminal Block & Sliding Terminal: Brass Terminal Screws: Steel, Yellow Passivated Spring: Spring Steel Locking Blade: Spring Steel Zinc Plated Red Handle: Polycarbonate LSZH (RAL 3020 Traffic Light Red) |
| Terminal Capacity | 3 Core 1.5mm ² Maximum, 2.5mmø Terminal Diameter |
| Torque Value Terminal Screws | 0.4Nm, Strain Relief Clamping Screws; 0.3Nm |
| Dielectric Strength | 1.5 kV Max |
| Withdrawal Force | > 100N |
| Ambient Operating Temperature | 25°C |
| Flammability Rating | Equivalent to UL94V-0 |
| Protection Class | Suitable for appliances with protection Class I according to IEC EN 61140 |

| | |
|-----------------|---|
| Features | Rewireable Housing can be 'flipped' to become an Up Angled Connector Fits any standard C14 outlet Anti-Vibrate Integral plug retention feature Easy pull handle Slotted and Cross head housing screws Appliance inlet suitable for cold conditions |
|-----------------|---|

| | |
|------------------|---|
| Standards | EN 60320-1: 2015 (KEMA-KEUR File: 35-102059) UL 60320-1 (UL File E475619) CSA C22.2 60320-1-11 (UL File E475619) AS/NZS 60320.1 (SAA File 151920) Appendix 4 Section 1, Section 6 and Appendix 10 Chapter 5 (File JET7270-43004-1001) |
|------------------|---|



Technical Datasheet

Product Code: PA130100DBK

Description: Down (& Up) Angled Rewirable IEC Lock+ Low Smoke Zero Halogen Appliance Outlet (Black)

