

MORSETTI PER TRASFORMATORI

TRANSFORMER CONNECTORS | BORNIERI POUR TRANSFORMATEURS



CUSTOMIZZAZIONI | Customizations | Personnalisations



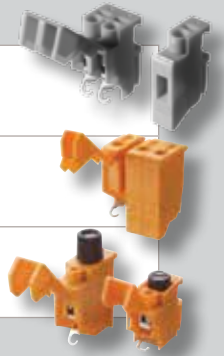
PARTNERS



INDICE Index | *Index*
MORSETTI A VITE

 Screw connectors | *Borniers à vis*
MORSETTI A MOLLA

 Screwless connectors | *Borniers à ressort*
MORSETTI CON PORTAFUSIBILE

 Terminal blocks with fuseholder | *Borniers avec porte-fusible*

VANTAGGI Advantages | *Avantages*

 ■ **Trasformatori**

 Transformers
Transformateurs

 ■ **Induttanze**

 Inductor
Inductance

 ■ **Reattanze**

 Reactances
Réactances
APPLICAZIONI Applications | *Applications*

 ■ **Omologazioni internazionali**

 International approvals
Homologations internationales

 ■ **Versione compatta**

 Compact version
Version compacte

 ■ **Gamma estesa vite e molla**

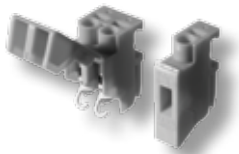
 Wide range screw and screwless
Gamme étendue vis et ressort

 ■ **Portafusibile 5x20 e 6,3x32**

 5x20 and 6,3x32 fuseholder
Porte-fusible 5x20 et 6,3 x32

MORSETTI PER TRASFORMATORI

Transformer connectors | Borniers pour transformateurs



MORSETTO MINI MINI terminal block | *Bornier MINI*

Tensione 750V	Voltage 750V	Tension 750V
Corrente 32A	Current 32A	Courant 32A
Corpo Polyamide 6/6 UL94V2	Body Polyamide 6/6 UL94V2	Corps Polyamide 6/6 UL94V2
Morsetto Ottone nichelato	Terminal Nickel plated brass	Bornier Laiton nickelé
Temperatura 100°C	Temperature 100°C	Température 100°C
Norme di riferimento EN61558-1 EN60998	Standards EN61558-1 EN60998	Normes EN61558-1 EN60998

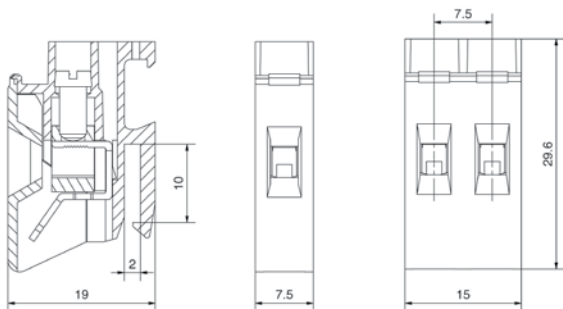


Codice Code Code	N° poli N° poles N° pôles	Colore Colour Couleur	
CTRRKW14M01/OR	1		500
CTRRKW14M02/OR	2		250

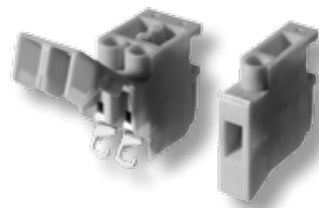


Sezione Section Section	20-10 AWG	18-12 AWG	4,0 mm ²
Tensione Voltage Tension	600 V	300 V	750 V
Corrente Current Courant	20 A	32 A	32 A

Dimensioni | Dimensions | Dimensions



A richiesta disponibili in altri colori (rosso/grigio)
Other colours available upon request (red/grey)
Différentes couleurs fournissables sur demande (rouge/gris)



MORSETTO STANDARD Standard terminal block | *Bornier standard*

Tensione 750V	Voltage 750V	Tension 750V
Corrente 32A/16A	Current 32A/16A	Courant 32A/16A
Corpo Polyamide 6/6 UL94V2	Body Polyamide 6/6 UL94V2	Corps Polyamide 6/6 UL94V2
Morsetto Ottone nichelato	Terminal Nickel plated brass	Bornier Laiton nickelé
Temperatura 100°C	Temperature 100°C	Température 100°C
Norme di riferimento EN61558-1 EN60998	Standards EN61558-1 EN60998	Normes EN61558-1 EN60998

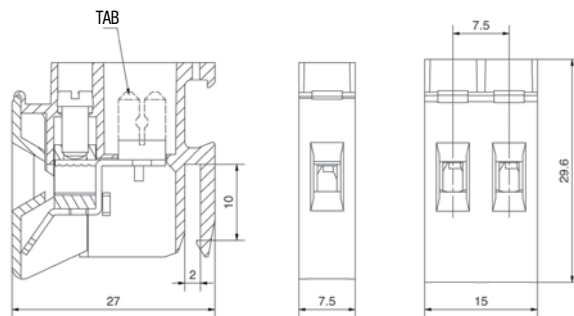


Codice Code Code	N° poli N° poles N° pôles	Corrente Current Courant	Colore Colour Couleur	Tab Tab Tab	
CTRRKW14F01/OR	1	16 A		Yes	500
CTRRKW14F02/OR	2	16 A		Yes	250
CTRRKW1401/OR	1	32 A		No	500
CTRRKW1402/OR	2	32 A		No	250



Sezione Section Section	20-10 AWG	18-12 AWG	4,0 mm ²
Tensione Voltage Tension	600 V	300 V	750 V
Corrente Current Courant	20 A	32 A	32 A

Dimensioni | Dimensions | Dimensions



A richiesta disponibili in altri colori (rosso/grigio)
Other colours available upon request (red/grey)
Différentes couleurs fournissables sur demande (rouge/gris)

MORSETTI PER TRASFORMATORI

Transformer connectors | Borniers pour transformateurs



MORSETTO CON PORTAFUSIBILE

Terminal block with fuseholder | *Bornier avec porte-fusible*

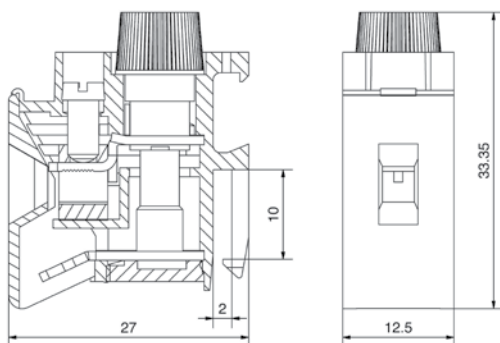
Tensione 400V	Voltage 400V	Tension 400V
Corrente 10A/16A	Current 10A/16A	Courant 10A/16A
Corpo Polyamide 6/6 ULP94V0	Body Polyamide 6/6 ULP94V0	Corps Polyamide 6/6 ULP94V0
Morsetto Ottone nichelato	Terminal Nickel plated brass	Bornier Laiton nickelé
Temperatura 70°	Temperature 70°	Température 70°
Norme di riferimento EN60127-6	Standards EN60127-6	Normes EN60127-6



Codice Code Code	N° poli N° poles N° pôles	Fusibile Fuse Fusible	Colore Colour Couleur	
CTRRKW14SI020/OR	1	5X20		100
CTRRKW14SI032/OR	1	6,3X32		100

Sezione Section Section	20-10 AWG	18-12 AWG	4,0 mm ²
Tensione Voltage Tension	300 V	250 V	400 V
Corrente Current Courant	20 A	25 A	10 A

Dimensioni | Dimensions | Dimensions



pronta
in stock
en stock



A richiesta disponibili in altri colori (rosso/grigio)
Other colours available upon request (red/grey)
Différentes couleurs fournissables sur demande (rouge/gris)



MORSETTO ALTE CORRENTI

High current terminal blocks | *Bornier pour courants forts*

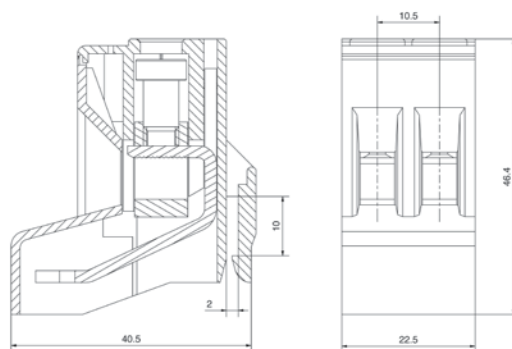
Tensione 750V	Voltage 750V	Tension 750V
Corrente 76A	Current 76A	Courant 76A
Corpo Polyamide 6/6 UL94V2	Body Polyamide 6/6 UL94V2	Corps Polyamide 6/6 UL94V2
Morsetto Ottone nichelato	Terminal Nickel plated brass	Bornier Laiton nickelé
Temperatura 85°C	Temperature 85°C	Température 85°C
Norme di riferimento EN61558-1 EN60998	Standards EN61558-1 EN60998	Normes EN61558-1 EN60998



Codice Code Code	N° poli N° poles N° pôles	Colore Colour Couleur	
CTRRKW1102/OR	2		25

Sezione Section Section	20-6 AWG	20-6 AWG	16 mm ²
Tensione Voltage Tension	600 V	600 V	750 V
Corrente Current Courant	55 A	55 A	76 A

Dimensioni | Dimensions | Dimensions



pronta
in stock
en stock



A richiesta disponibili in altri colori (rosso/grigio)
Other colours available upon request (red/grey)
Différentes couleurs fournissables sur demande (rouge/gris)

MORSETTI PER TRASFORMATORI A MOLLA

Transformer connectors screwless | Borniers pour transformateurs sans vis



MORSETTO

Terminal block | *Bornier*

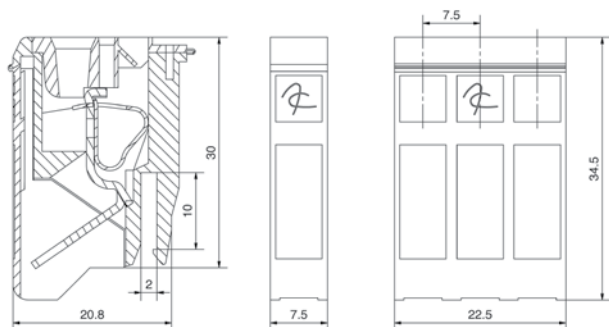
Tensione 750V	Voltage 750V	Tension 750V
Corrente 32A	Current 32A	Courant 32A
Corpo Polyamide 6/6 UL94V2	Body Polyamide 6/6 UL94V2	Corps Polyamide 6/6 UL94V2
Morsetto Rame stagnato	Terminal Tinned copper	Bornier Cuivre étamé
Temperatura 100°C	Temperature 100°C	Température 100°C
Norme di riferimento EN61558-1 EN60998	Standards EN61558-1 EN60998	Normes EN61558-1 EN60998



Codice Code Code	N° poli N° poles N° pôles	Colore Colour Couleur	
CTRTC2523/1OR	1	■	500
CTRTC2523/2OR	2	■	250
CTRTC2533/3OR	3	■	100

Sezione Section <i>Section</i>	20-10 AWG	4,0 mm ²
Tensione Voltage <i>Tension</i>	600 V	750 V
Corrente Current <i>Courant</i>	20 A	32 A

Dimensioni | Dimensions | *Dimensions*



pronta
in stock
en stock



A richiesta disponibili in altri colori (rosso/grigio)
Other colours available upon request (red/grey)
Différentes couleurs fournissables sur demande (rouge/gris)



MORSETTO CON PORTAFUSIBILE

Terminal block with fuseholder | *Bornier avec porte-fusible*

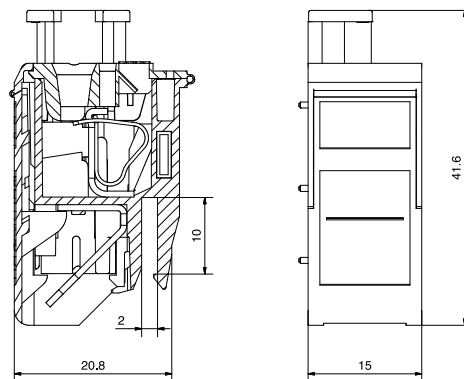
Tensione 600V	Voltage 600V	Tension 600V
Corrente 10A	Current 10A	Courant 10A
Corpo Polyamide 6/6 UL94V2	Body Polyamide 6/6 UL94V2	Corps Polyamide 6/6 UL94V2
Morsetto Rame stagnato	Terminal Tinned copper	Bornier Cuivre étamé
Temperatura 100°C	Temperature 100°C	Température 100°C
Norme di riferimento EN61558-1 EN60998	Standards EN61558-1 EN60998	Normes EN61558-1 EN60998



Codice Code Code	N° poli N° poles N° pôles	Fusibile Fuse Fusible	Colore Colour Couleur	
CTRTC2523SI20/OR	1	5X20	■	100

Sezione Section <i>Section</i>	20-10 AWG
Tensione Voltage <i>Tension</i>	600 V
Corrente Current <i>Courant</i>	20 A

Dimensioni | Dimensions | *Dimensions*



pronta
in stock
en stock



A richiesta disponibili in altri colori (rosso/grigio)
Other colours available upon request (red/grey)
Différentes couleurs fournissables sur demande (rouge/gris)

MORSETTI PER TRASFORMATORI A MOLLA

Transformer connectors screwless | Borniers pour transformateurs sans vis



MORSETTO CON PORTAFUSIBILE

Terminal block with fuseholder | *Bornier avec porte-fusibile*

Tensione 600V	Voltage 600V	Tension 600V
Corrente 16A	Current 16A	Courant 16A
Corpo Polyamide 6/6 UL94V2	Body Polyamide 6/6 UL94V2	Corps Polyamide 6/6 UL94V2
Morsetto Rame stagnato	Terminal Tinned copper	Bornier Cuivre étamé
Temperatura 100°C	Temperature 100°C	Température 100°C
Norme di riferimento EN61558-1 EN60998	Standards EN61558-1 EN60998	Normes EN61558-1 EN60998

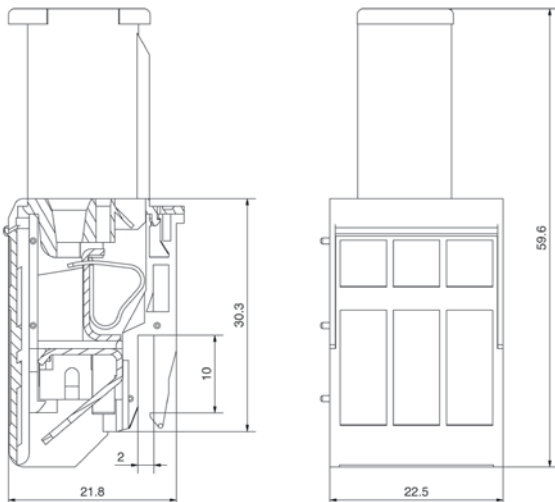


Codice Code Code	N° poli N° poles N° pôles	Fusibile Fuse Fusible	Colore Colour Couleur	
CTRTC2523SI32/OR	1	6,3X32		100



Sezione Section Section	20-10 AWG
Tensione Voltage Tension	600 V
Corrente Current Courant	20 A

Dimensioni | Dimensions | Dimensions



A richiesta disponibili in altri colori (rosso/grigio)
Other colours available upon request (red/grey)
Différentes couleurs fournissables sur demande (rouge/gris)



DK4 si

DK4

MORSETTO

Terminal block | *Bornier*

Tensione 32V/600V	Voltage 32V/600V	Tension 32V/600V
Corrente 32A	Current 32A	Courant 32A
Corpo Polyamide 6/6 UL94V2	Body Polyamide 6/6 UL94V2	Corps Polyamide 6/6 UL94V2
Morsetto Ottone nichelato	Terminal Nickel plated brass	Bornier Laiton nickelé
Temperatura 100°C	Temperature 100°C	Température 100°C
Norme di riferimento EN61558-1 EN60998	Standards EN61558-1 EN60998	Normes EN61558-1 EN60998



Codice Code Code	Tensione Voltage Tension	N° poli N° poles N° pôles	Fusibile Fuse Fusible	Colore Colour Couleur	
CTRDK40/GY	600V	1	-		500
CTRDK40/BK	600V	1	-		500
CTRDK4SI0/BK	32V	1	ATO-AL		250

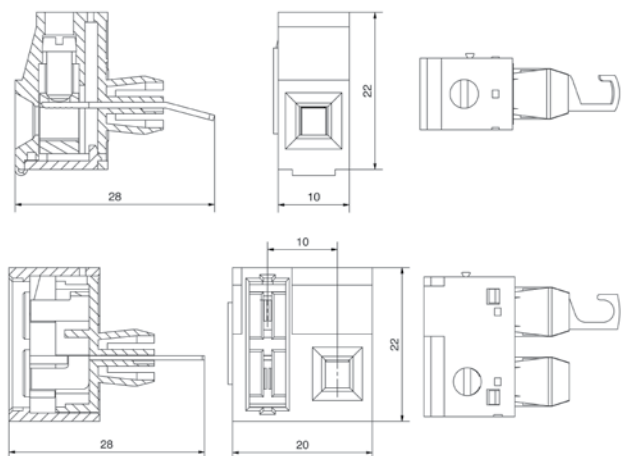


CON PORTAFUSIBILE
With fuseholder | *Avec porte-fusibile*

SENZA PORTAFUSIBILE
Without fuseholder | *Sans porte-fusibile*

Sezione Section Section	20-14 AWG	20-14 AWG	20-14 AWG	20-14 AWG
Tensione Voltage Tension	600 V	600 V	32 V	32 V
Corrente Current Courant	5 A	16 A	15 A	15 A

Dimensioni | Dimensions | Dimensions



A richiesta disponibili in altri colori (rosso/grigio)
Other colours available upon request (red/grey)
Différentes couleurs fournissables sur demande (rouge/gris)