

# PULSANTI ANTIVANDALO

VANDAL RESISTANT PUSH BUTTONS | POUSSOIRS ANTIVANDALES



## PARTNERS



**INTERRUTTORI 250V**

250V switches  
Interrupteurs 250 V

pag. 53



**INDICE** Index | *Index*
**PULSANTI LUMINOSI**

 Illuminated switches | *Poussoirs lumineux*

**PULSANTI BASSO PROFILO, SPORGENTI, CURVI**

 Low profile push-buttons, protruding, curved | *Poussoirs à bas profil, proéminents, courbés*

**PULSANTI Ø 16, 19, 22, 28, 30 mm**

 Ø 16, 19, 22, 28, 30 mm push-buttons | *Poussoirs Ø 16, 19, 22, 28, 30*

**PULSANTI PER APPLICAZIONI CITOFONICHE**

 Push-buttons for entry phones applications | *Poussoirs pour interphones*

**ACCESSORI**

 Accessories | *Accessoires*

**VALORI RESISTENZE** Resistor values | *Valeurs des résistances*

MP0001.x.xx | MP0002.x.xx

COLOR	LED VOLTAGE	6V DC - 20MA	12V DC - 20MA	24V DC - 20MA	48V DC - 20MA
■	1,85 V	200 Ω - 0,25 W	510 Ω - 0,25 W	1100 Ω - 0,66 W	2200 Ω - 1,0 W
■	3,50 V	N.A.	430 Ω - 0,25 W	1000 Ω - 0,66 W	2200 Ω - 1,0 W
■	3,50 V	N.A.	430 Ω - 0,25 W	1000 Ω - 0,66 W	2200 Ω - 1,0 W
■	2,30 V	200 Ω - 0,25 W	510 Ω - 0,25 W	1100 Ω - 0,66 W	2200 Ω - 1,0 W
□	3,60 V	N.A.	430 Ω - 0,25 W	1000 Ω - 0,66 W	2200 Ω - 1,0 W

**VANTAGGI** Advantages | *Avantages*

- **Impermeabili IP66/IP68**  
IP66/IP68 sealing protection  
*Étanches IP66/IP68*
- **Vasta gamma**  
Wide range  
*Large choix*
- **Semplicità di montaggio**  
Easy assembling  
*Montage simple*
- **Personalizzazione anche per piccoli lotti**  
Possibility of customizing small quantities  
*Personnalisations possibles même pour les petites quantités*

**APPLICAZIONI** Applications | *Applications*

- **Distributori automatici**  
Automatic dispenser  
*Distributeurs automatiques*
- **Citofoni**  
Door entry systems  
*Interphones*
- **Ascensori**  
Elevators  
*Ascenseurs*
- **Parcheggi**  
Car park ticket machines  
*Parcmètres*
- **Gettoniere**  
Token vending machines  
*Machines pour jetons et pièces de monnaie*
- **Video-game**  
Video games  
*Jeux vidéo*
- **Apparecchiature da esterno**  
Outdoor equipments  
*Équipements extérieurs*

## PULSANTI ANTIVANDALO LUMINOSI

Illuminated vandal resistant push-buttons | *Poussoirs antivandales lumineux*



### PULSANTI ANTIVANDALO LUMINOSI Ø 19

Ø 19 Illuminated vandal resistant switches | *Poussoirs antivandales lumineux Ø 19*

<b>Corrente</b> 50 mA	<b>Current</b> 50 mA	<b>Courant</b> 50 mA
<b>Tensione</b> 24 Vdc	<b>Voltage</b> 24 Vdc	<b>Tension</b> 24 Vdc
<b>Led</b> 20 mA	<b>Led</b> 20 mA	<b>Led</b> 20 mA
<b>Corpo</b> Acciaio inox	<b>Body</b> Stainless steel	<b>Corps</b> Acier inox
<b>Tasto</b> Acciaio inox	<b>Actuator</b> Stainless steel	<b>Bouton</b> Acier inox
<b>Contatti</b> Ottone argentato	<b>Contacts</b> Silver plated brass	<b>Contacts</b> Laiton argenté
<b>Grado di protezione</b> IP 66	<b>Sealing</b> IP 66	<b>Indice de protection</b> IP 66
<b>Protezione</b> TVS	<b>Protection</b> TVS	<b>Protection</b> TVS



Codice vite	Codice saldare	Codice cavetti	Colore led	Tensione Led
Screw code Code - à vis	Solder code Code - à souder	Flying leads code Code - à fils	Led colour Couleur led	Led Voltage Tension Led

Senza resistenza   No resistor   Sans résistance				
MP0001.T.RD	MP0001.S.RD	MP0001.FL.RD	■	1,85 V
MP0001.T.GR	MP0001.S.GR	MP0001.FL.GR	■	3,50 V
MP0001.T.AM	MP0001.S.AM	MP0001.FL.AM	■	2,30 V
MP0001.T.BL	MP0001.S.BL	MP0001.FL.BL	■	3,50 V
MP0001.T.WH	MP0001.S.WH	MP0001.FL.WH	□	3,60 V

Con resistenza   With resistor   Avec résistance				
MP0001.T.RD.6	MP0001.S.RD.6	MP0001.FL.RD.6	■	6 V
MP0001.T.GR.6	MP0001.S.GR.6	MP0001.FL.GR.6	■	6 V
MP0001.T.AM.6	MP0001.S.AM.6	MP0001.FL.AM.6	■	6 V
MP0001.T.BL.6	MP0001.S.BL.6	MP0001.FL.BL.6	■	6 V
MP0001.T.WH.6	MP0001.S.WH.6	MP0001.FL.WH.6	□	6 V
MP0001.T.RD.12	MP0001.S.RD.12	MP0001.FL.RD.12	■	12 V
MP0001.T.GR.12	MP0001.S.GR.12	MP0001.FL.GR.12	■	12 V
MP0001.T.AM.12	MP0001.S.AM.12	MP0001.FL.AM.12	■	12 V
MP0001.T.BL.12	MP0001.S.BL.12	MP0001.FL.BL.12	■	12 V
MP0001.T.WH.12	MP0001.S.WH.12	MP0001.FL.WH.12	□	12 V
MP0001.T.RD.24	MP0001.S.RD.24	MP0001.FL.RD.24	■	24 V
MP0001.T.GR.24	MP0001.S.GR.24	MP0001.FL.GR.24	■	24 V
MP0001.T.AM.24	MP0001.S.AM.24	MP0001.FL.AM.24	■	24 V
MP0001.T.BL.24	MP0001.S.BL.24	MP0001.FL.BL.24	■	24 V
MP0001.T.WH.24	MP0001.S.WH.24	MP0001.FL.WH.24	□	24 V



### PULSANTI ANTIVANDALO LUMINOSI Ø 19

Ø 19 Illuminated vandal resistant switches | *Poussoirs antivandales lumineux Ø 19*

<b>Corrente</b> 50 mA	<b>Current</b> 50 mA	<b>Courant</b> 50 mA
<b>Tensione</b> 24 Vdc	<b>Voltage</b> 24 Vdc	<b>Tension</b> 24 Vdc
<b>Led</b> 20 mA	<b>Led</b> 20 mA	<b>Led</b> 20 mA
<b>Corpo</b> Acciaio inox	<b>Body</b> Stainless steel	<b>Corps</b> Acier inox
<b>Tasto</b> Acciaio inox	<b>Actuator</b> Stainless steel	<b>Bouton</b> Acier inox
<b>Contatti</b> Ottone argentato	<b>Contacts</b> Silver plated brass	<b>Contacts</b> Laiton argenté
<b>Grado di protezione</b> IP 66	<b>Sealing</b> IP 66	<b>Indice de protection</b> IP 66
<b>Protezione</b> TVS	<b>Protection</b> TVS	<b>Protection</b> TVS



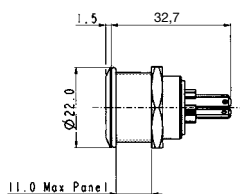
Codice vite	Codice saldare	Codice cavetti	Colore led	Tensione Led
Screw code Code - à vis	Solder code Code - à souder	Flying leads code Code - à fils	Led colour Couleur led	Led Voltage Tension Led

Senza resistenza   No resistor   Sans résistance				
MP0002.T.RD	MP0002.S.RD	MP0002.FL.RD	■	1,85 V
MP0002.T.GR	MP0002.S.GR	MP0002.FL.GR	■	3,50 V
MP0002.T.AM	MP0002.S.AM	MP0002.FL.AM	■	2,30 V
MP0002.T.BL	MP0002.S.BL	MP0002.FL.BL	■	3,50 V
MP0002.T.WH	MP0002.S.WH	MP0002.FL.WH	□	3,60 V

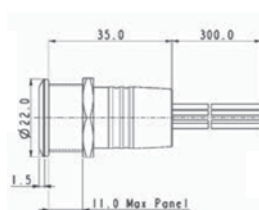
Con resistenza   With resistor   Avec résistance				
MP0002.T.RD.6	MP0002.S.RD.6	MP0002.FL.RD.6	■	6 V
MP0002.T.GR.6	MP0002.S.GR.6	MP0002.FL.GR.6	■	6 V
MP0002.T.AM.6	MP0002.S.AM.6	MP0002.FL.AM.6	■	6 V
MP0002.T.BL.6	MP0002.S.BL.6	MP0002.FL.BL.6	■	6 V
MP0002.T.WH.6	MP0002.S.WH.6	MP0002.FL.WH.6	□	6 V
MP0002.T.RD.12	MP0002.S.RD.12	MP0002.FL.RD.12	■	12 V
MP0002.T.GR.12	MP0002.S.GR.12	MP0002.FL.GR.12	■	12 V
MP0002.T.AM.12	MP0002.S.AM.12	MP0002.FL.AM.12	■	12 V
MP0002.T.BL.12	MP0002.S.BL.12	MP0002.FL.BL.12	■	12 V
MP0002.T.WH.12	MP0002.S.WH.12	MP0002.FL.WH.12	□	12 V
MP0002.T.RD.24	MP0002.S.RD.24	MP0002.FL.RD.24	■	24 V
MP0002.T.GR.24	MP0002.S.GR.24	MP0002.FL.GR.24	■	24 V
MP0002.T.AM.24	MP0002.S.AM.24	MP0002.FL.AM.24	■	24 V
MP0002.T.BL.24	MP0002.S.BL.24	MP0002.FL.BL.24	■	24 V
MP0002.T.WH.24	MP0002.S.WH.24	MP0002.FL.WH.24	□	24 V

### Dimensioni | Dimensions | Dimensions

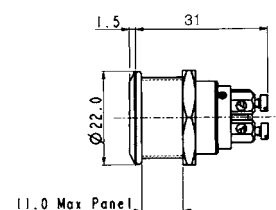
Contatti a saldare | Solder contact | Contacts à souder



Cavetti | Flying leads | Fils

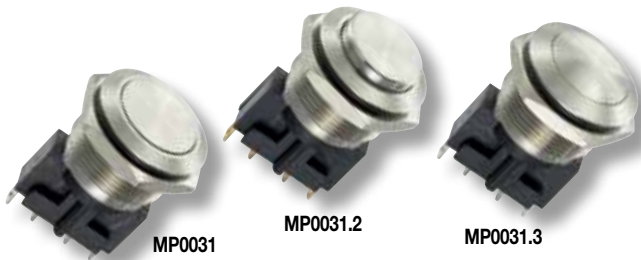


Contatti a vite | Screw contact | Contacts à vis



## PULSANTI ANTIVANDALO

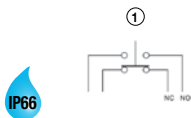
Vandal resistant push-buttons | *Poussoirs antivandales*



### PULSANTI ANTIVANDALO Ø 19

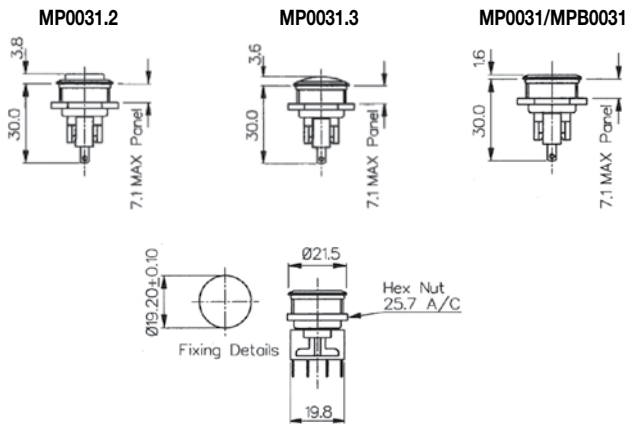
Ø 19 vandal resistant switches | *Poussoirs antivandales Ø 19*

Corrente 5 A	Current 5 A	Courant 5 A
Tensione 250 V	Voltage 250 V	Tension 250 V
Corpo Acciaio	Body Steel	Corps Acier
Contatti Ottone stagnato saldare 2,8 mm	Contacts Tinned brass 2,8 mm solder	Contacts Laiton étamé à souder 2,8 mm
Grado di protezione IP 66	Sealing IP 66	Indice de protection IP 66



Codice Code Code	Attuatore Actuator Bouton	Corrente Current Courant	Materiale Material Matériau
MP0031	basso profilo/low profile/bas profil	5 A 250 V	inox 303
MP0031.2	sporgente/protruding/proéminent	5 A 250 V	inox 303
MP0031.3	curvo/domed/bombé	5 A 250 V	inox 303
MP0031.316	basso profilo/low profile/bas profil	5 A 250 V	inox 316
MPB0031	basso profilo/low profile/bas profil	5 A 250 V	ottone cromato

### Dimensioni | Dimensions | Dimensions



a richiesta fornibile inciso o stampato al laser  
engraved or laser marked are available upon request  
gravés ou marquage au laser disponibles sur demande



a richiesta fornibile con tasto antirotazione  
antirotating actuators are available upon request  
boutons antirotation disponibles sur demande



### PULSANTI ANTIVANDALO Ø 19

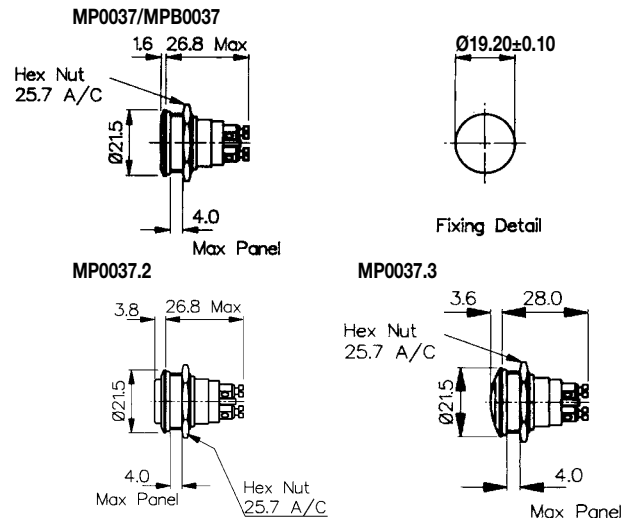
Ø 19 vandal resistant switches | *Poussoirs antivandales Ø 19*

Corrente 1 A	Current 1 A	Courant 1 A
Tensione 50 Vac / 50 Vdc	Voltage 50 Vac / 50 Vdc	Tension 50 Vac / 50 Vdc
Corpo Acciaio inox	Body Stainless steel	Corps Acier inox
Contatti Ottone argentato, viti	Contacts Silver plated brass, screw	Contacts Laiton argenté, vis
Grado di protezione IP 68	Sealing IP 68	Indice de protection IP 68



Codice Code Code	Attuatore Actuator Bouton	Materiale Material Matériau
MP0037	basso profilo/low profile/bas profil	inox 303
MP0037.2	sporgente/protruding/proéminent	inox 303
MP0037.3	curvo/domed/bombé	inox 303
MPB0037	basso profilo/low profile/bas profil	ottone cromato

### Dimensioni | Dimensions | Dimensions



a richiesta fornibile con tasto antirotazione  
antirotating actuators are available upon request  
boutons antirotation disponibles sur demande

## PULSANTI ANTIVANDALO

Vandal resistant push-buttons | *Poussoirs antivandales*



MP0027  
MP0038

MP0027.2  
MP0038.2

MP0027.3  
MP0038.3

### PULSANTI ANTIVANDALO Ø 28

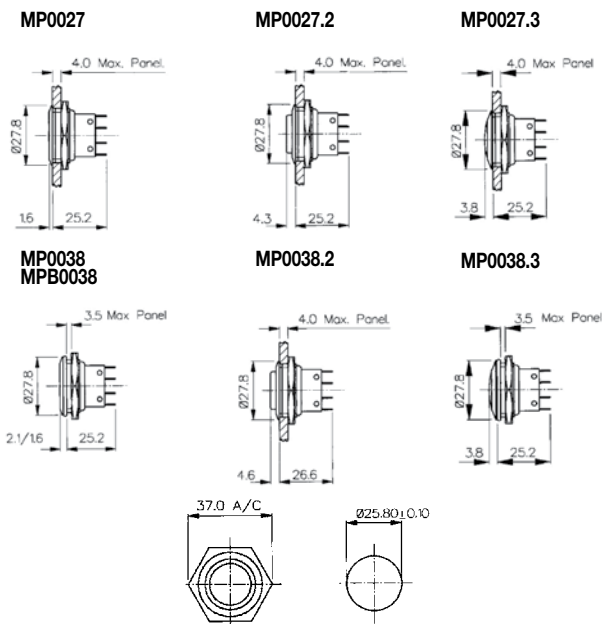
Ø 28 Vandal resistant switches | *Poussoirs antivandales Ø 28 mm*

Corrente 5 A	Current 5 A	Courant 5 A
Tensione 250 V	Voltage 250 V	Tension 250 V
Corpo Acciaio	Body Steel	Corps Acier
Tasto Acciaio	Actuator Steel	Bouton Acier
Contatti Ottone stagnato	Contacts Tinned brass	Contacts Laiton étamé



Codice Code Code	Attuatore Actuator Bouton	Corrente Current Courant	Materiale Material Matériau
MP0027	basso profilo/low profile/bas profil	5 A 250 V	inox 303
MP0027.2	sporgente/protruding/proéminent	5 A 250 V	inox 303
MP0027.3	curvo/domed/bombé	5 A 250 V	inox 303
• <b>Grado di protezione IP66   Sealino IP66   Indice de protection IP66</b>			
• MP0038	basso profilo/low profile/bas profil	5 A 250 V	inox 303
• MP0038.2	sporgente/protruding/proéminent	5 A 250 V	inox 303
• MP0038.3	curvo/domed/bombé	5 A 250 V	inox 303
• MPB0038	basso profilo/low profile/bas profil	5 A 250 V	ottone cromato

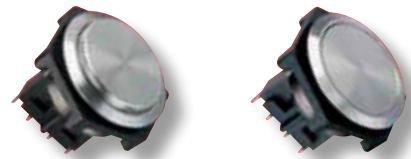
### Dimensioni | Dimensions | Dimensions



\* IN = instabile/momentary/momentané  
ST = stabile/maintained/maintenu

MP 0050.2

MP 0050



### PULSANTI ANTIVANDALO Ø 32

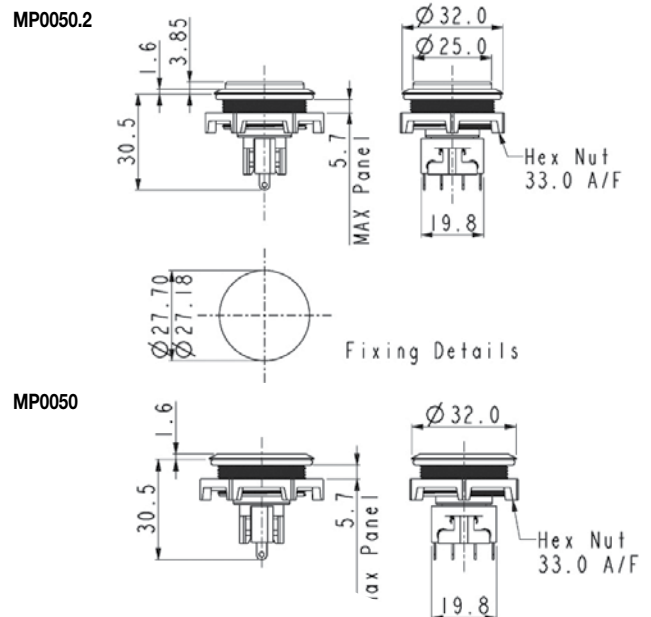
Vandal resistant switches Ø 32 | *Poussoirs antivandales Ø 32*

Corrente 5 A	Current 5 A	Courant 5 A
Tensione 250 V	Voltage 250 V	Tension 250 V
Corpo Acciaio inox	Body Stainless steel	Corps Acier inox
Contatti Ottone stagnato saldare	Contacts Solder tinned brass	Contacts Laiton étamé à souder
Grado di protezione IP 68	Sealing IP 68	Indice de protection IP 68



Codice Code Code	Attuatore Actuator Bouton
MP0050	basso profilo/low profile/bas profil
MP0050.2	sporgente/protruding/proéminent

### Dimensioni | Dimensions | Dimensions



## PULSANTI ANTIVANDALO

Vandal resistant push-buttons | *Poussoirs antivandales*



### PULSANTI ANTIVANDALO Ø 16

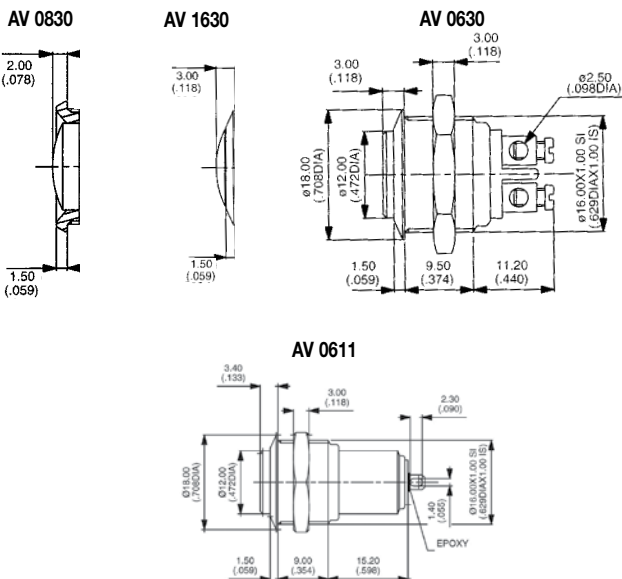
Vandal resistant switches Ø 16 | *Poussoirs antivandales Ø 16*

Corrente/Tensione	Current/Voltage	Courant/Tension
<b>Pulsante:</b> 200 mA/48 Vdc	<b>Push-button:</b> 200 mA/48 Vdc	<b>Bouton:</b> 200 mA/48 Vdc
<b>Interruttore:</b> 1 A/24 Vdc 1,5 A/250Vac	<b>Switch:</b> 1 A/24 Vdc 1,5 A/250Vac	<b>Interrupteur:</b> 1 A/24 Vdc 1,5 A/250Vac
<b>Corpo</b> Ottone nichelato	<b>Body</b> Nickel plated brass	<b>Corps</b> Laiton nickelé
<b>Contatti</b>	<b>Contacts</b>	<b>Contacts</b>
<b>Pulsante:</b> Ottone argentato, vite	<b>Push-button:</b> Silver plated brass, screw	<b>Bouton:</b> Laiton argenté, vis
<b>Interruttore:</b> Argento saldare 2,8 mm	<b>Switch:</b> Silver à souder 2,8 mm	<b>Interrupteur:</b> Argent à souder 2,8 mm



Codice	Attuatore
Code	Actuator
Code	Bouton
AV0630	basso profilo/low profile/bas profil
AV1630	curvo/domed/bombé
AV0830	curvo con smussatura/domed with chamfer/bombé avec arrondi
<b>Interruttori   Switch   Interrupteur</b>	
AV0611	basso profilo/low profile/bas profil

### Dimensioni | Dimensions | Dimensions



### INTERRUTTORI ANTIVANDALO Ø 19

Ø 19 vandal resistant switches | *Poussoirs antivandales Ø 19*

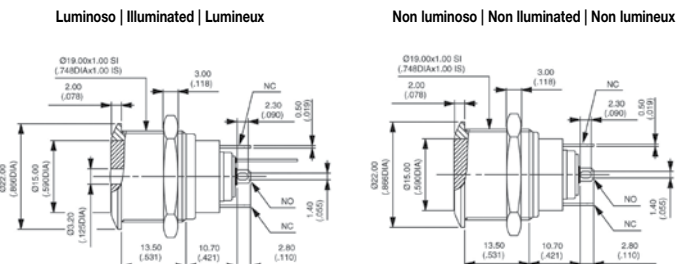
Corrente	Current	Courant
2 A	2 A	2 A
<b>Tensione</b> 48 Vdc	<b>Voltage</b> 48 Vdc	<b>Tension</b> 48 Vdc
<b>Corpo</b> Acciaio inox	<b>Actuator</b> Stainless steel	<b>Bouton</b> Acier inox
<b>Tasto</b> Acciaio inox	<b>Body</b> Stainless steel	<b>Corps</b> Acier inox
<b>Contatti</b> Argento	<b>Contacts</b> Silver	<b>Contacts</b> Argent
<b>Grado di protezione</b> IP 65	<b>Sealing</b> IP 65	<b>Indice di protezione</b> IP 65
<b>N° cicli elettrici</b> 500.000	<b>Cycles</b> 500.000	<b>Durée de vie</b> 500.000
<b>N° cicli meccanici</b> 1.000.000	<b>Mechanical life</b> 1.000.000	<b>Durée de vie mécanique</b> 1.000.000
<b>Temperatura di lavoro</b> -30°C a +70°C	<b>Operating temperature</b> -30°C to +70°C	<b>Température d'utilisation</b> -30°C à +70°C



Codice	Colore led	Tensione led
Code	Led colour	Led voltage
Code	Couleur led	Tension led

Stabile   Maintained   Maintenu		
AV09100EA840K	Non luminoso/non illuminated/non lumineux	-
AV091L1EA840K	■	3,5V 10 mA
AV091L3EA840K	■	2,0V 10 mA
AV091L5EA840K	■	2,0V 20 mA
AV091L6EA840K	■	2,0V 20 mA
Instabile   Momentary   Momentané		
AV091005A840K	Non luminoso/non illuminated/non lumineux	-
AV091L15A840K	■	3,5V 10 mA
AV091L35A840K	■	2,0V 10 mA
AV091L55A840K	■	2,0V 20 mA
AV091L65A840K	■	2,0V 20 mA

### Dimensioni | Dimensions | Dimensions



## PULSANTI ANTIVANDALO LUMINOSI

Illuminated vandal resistant push-buttons | *Poussoirs antivandales lumineux*



### PULSANTI ANTIVANDALO Ø 22

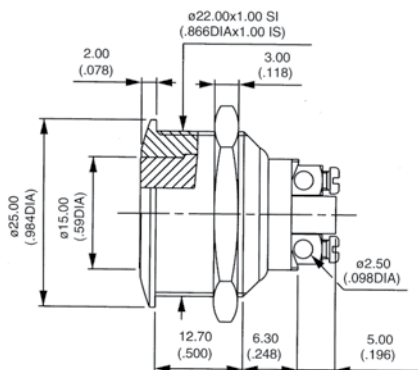
Vandal resistant switches Ø 22 | *Poussoirs antivandales Ø 22*

Corrente	Current	Courant
2 A	2 A	2 A
Tensione	Voltage	Tension
48 V	48 V	48 V
Corpo	Body	Corps
Ottone nichelato	Nickel plated brass	Laiton nickelé
Tasto	Actuator	Bouton
Termoplastico/ ottone nichelato	Thermoplastic/ nickel plated brass	Thermoplastique/ laiton nickelé
Contacti	Contacts	Contacts
Ottone argentato a vite	Screw lugs-silver plated brass	Laiton argenté à vis



Codice	Colore	Materiale tasto
Code	Colour	Material actuator
Code	Couleur	Matériau bouton
AV031.1	■	termoplastico/thermoplastic/thermoplastique
AV031.2	■	termoplastico/thermoplastic/thermoplastique
AV031.3	■	termoplastico/thermoplastic/thermoplastique
AV031.6	■	termoplastico/thermoplastic/thermoplastique
AV031.0	□ metallo	ottone nichelato/nickel plated brass/laiton nickelé

### Dimensioni | Dimensions | Dimensions



### INTERRUTTORI ANTIVANDALO Ø 22

Ø 22 vandal resistant switches | *Interrupteurs antivandales Ø 22*

Corrente	Current	Courant
2 A	2 A	2 A
Tensione	Voltage	Tension
48 Vdc	48 Vdc	48 Vdc
Corpo	Actuator	Bouton
Acciaio inox	Stainless steel	Acier inox
Tasto	Body	Corps
Acciaio inox	Stainless steel	Acier inox
Contacti	Contacts	Contacts
Argento	Silver	Argent
Grado di protezione	Sealing	Indice di protezione
IP 65	IP 65	IP 65
N° cicli elettrici	Cycles	Durée de vie
500.000	500.000	500.000
N° cicli meccanici	Mechanical life	Durée de vie mécanique
1.000.000	1.000.000	1.000.000
Temperatura di lavoro	Operating temperature	Température d'utilisation
-30°C a +70°C	-30°C to +70°C	-30°C à +70°C

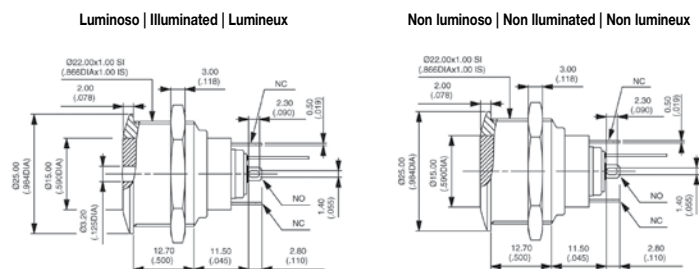


Codice	Colore led	Tensione led
Code	Led colour	Led voltage
Code	Couleur led	Tension led

Stabile   Maintained   Maintenu		
AV03100EA840K	Non luminoso/non illuminated/non lumineux	-
AV031L1EA840K	■	3,5 V 10 mA
AV031L3EA840K	■	2,0 V 10 mA
AV031L5EA840K	■	2,0 V 20 mA
AV031L6EA840K	■	2,0 V 20 mA

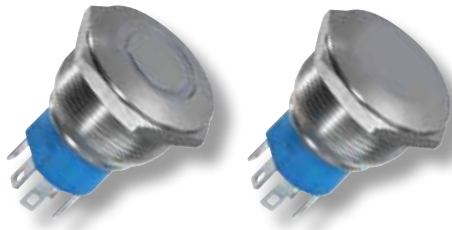
Instabile   Momentary   Momentané		
AV031005A840K	Non luminoso/non illuminated/non lumineux	-
AV031L15A840K	■	3,5 V 10 mA
AV031L35A840K	■	2,0 V 10 mA
AV031L55A840K	■	2,0 V 20 mA
AV031L65A840K	■	2,0 V 20 mA

### Dimensioni | Dimensions | Dimensions



## PULSANTI ANTIVANDALO LUMINOSI

Illuminated vandal resistant push-buttons | *Poussoirs antivandales lumineux*



### PULSANTI ANTIVANDALO Ø 22

Ø 22 vandal resistant switches | *Poussoirs antivandales Ø 22*

<b>Corrente</b> 1 A	<b>Current</b> 1 A	<b>Courant</b> 1 A
<b>Tensione</b> 30 Vdc	<b>Voltage</b> 30 Vdc	<b>Tension</b> 30 Vdc
<b>Corpo</b> Acciaio inox 303	<b>Body</b> Stainless steel 303	<b>Corps</b> Acier inox 303
<b>Tasto</b> Acciaio inox 303	<b>Attuator</b> Stainless steel 303	<b>Bouton</b> Acier inox 303
<b>Contatti</b> Argento	<b>Contacts</b> Silver	<b>Contacts</b> Argent
<b>Grado di protezione</b> IP 67	<b>Sealing</b> IP 67	<b>Indice de protection</b> IP 67
<b>N° cicli elettrici</b> 250.000	<b>Electrical cycles</b> 250.000	<b>Durée de vie électrique</b> 250.000
<b>N° cicli meccanici</b> 1.000.000	<b>Mechanical life</b> 1.000.000	<b>Durée de vie mécanique</b> 1.000.000
<b>Temperatura di lavoro</b> -20°C + 55°C	<b>Operating temperature</b> -20°C + 55°C	<b>Température d'utilisation</b> -20 à + 55°C

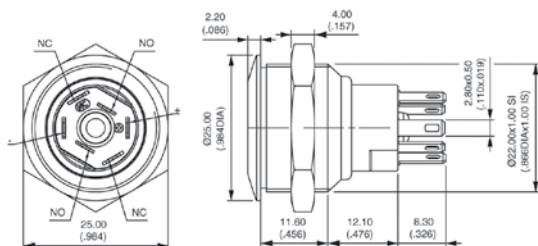


Codice Code Code	Colore anello Ring colour Couleur de l'anneau	Colore led Led colour Couleur led	Tensione Led Led Voltage Tension Led
------------------------	---	---	--

Senza resistenza   No resistor   Sans résistance			
AV310220000740K	<input type="checkbox"/>	■	3,3 V 20 mA
AV3V0220000740K	<input type="checkbox"/>	■	4,0 V 20 mA
AV360220000740K	<input type="checkbox"/>	■	2,0 V 20 mA
AV350220000740K	<input type="checkbox"/>	■	2,1 V 20 mA

Non luminoso   Non illuminated   Non lumineux			
AV300220000140K	■	-	-
AV300220000340K	■	-	-
AV300220000640K	■	-	-
AV300220000540K	■	-	-

### Dimensioni | Dimensions | Dimensions



40 pz  
40 pcs  
40 pces

30 giorni  
30 days  
30 jours



### INTERRUTTORI 250V

250 V switches | *Interrupteurs 250 V*

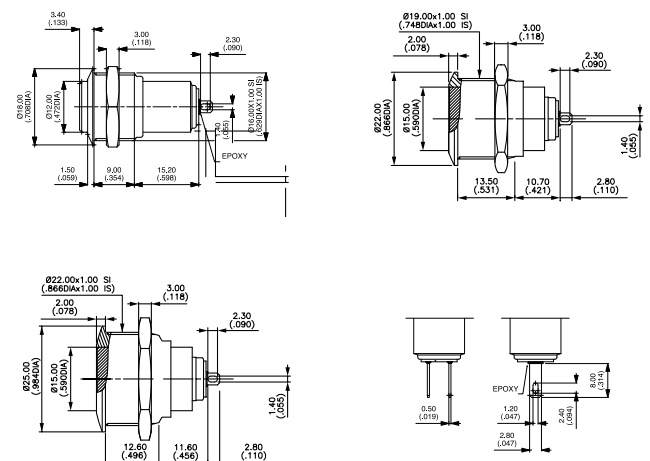
<b>Corrente</b> 1 A	<b>Current</b> 1 A	<b>Courant</b> 1 A
<b>Tensione</b> 250 V	<b>Voltage</b> 250 V	<b>Tension</b> 250 V
<b>Corpo</b> Ottone nickelato	<b>Body</b> Nickel plated brass	<b>Corps</b> Laiton nickelé
<b>Tasto</b> Ottone nickelato	<b>Attuator</b> Nickel plated brass	<b>Bouton</b> Laiton nickelé
<b>Contatti</b> Argento	<b>Contacts</b> Silver	<b>Contacts</b> Argent
<b>N° cicli elettrici</b> 10.000	<b>Electrical cycles</b> 10.000	<b>Durée de vie électrique</b> 10.000
<b>N° cicli meccanici</b> 200.000	<b>Mechanical life</b> 200.000	<b>Durée de vie mécanique</b> 200.000
<b>Temperatura di lavoro</b> -30°C + 70°C	<b>Operating temperature</b> -30°C + 70°C	<b>Température d'utilisation</b> -30°C + 70°C
<b>Norme riferimento</b> EN 61058-1	<b>Standards</b> EN 61058-1	<b>Normes</b> EN 61058-1



Codice Code Code	Ø	Funzione Function Fonction
------------------------	---	----------------------------------

AV061001A8	16 mm	off - on
AV091001A8	19 mm	off - on
AV031001A8	22 mm	off - on

### Dimensioni | Dimensions | Dimensions



25 pz  
25 pcs  
25 pces

30 giorni  
30 days  
30 jours



## PULSANTI ANTIVANDALO

Vandal resistant push-buttons | *Poussoirs antivandales*

MP0033	Curvo	Domed	Bombé	
	<b>Ø 19 mm Corrente</b> 1 A  <b>Tensione</b> 50 V <b>Corpo</b> Ottone cromato <b>Tasto</b> Acciaio inox <b>Contatti</b> Ottone argentato, viti <b>Grado di protezione</b> IP 66	<b>Ø 19 mm Current</b> 1 A  <b>Voltage</b> 50 V <b>Body</b> Chrome plated brass <b>Attuator</b> Stainless steel <b>Contacts</b> Silver plated brass, screw <b>Sealing</b> IP 66	<b>Ø 19 mm Courant</b> 1 A  <b>Tension</b> 50 V <b>Corps</b> Laiton chromé <b>Bouton</b> Acier inox <b>Contacts</b> Laiton argenté, vis <b>Indice de protection</b> IP 66	
		100 pz 100 pcs 100 pces	pronta in stock en stock	

AV09C7	Basso profilo	Low profile	Bas profil	
	<b>Ø 19 mm Corrente</b> 50 mA  <b>Tensione</b> 24 V <b>Corpo</b> Ottone nichelato <b>Tasto</b> Ottone nichelato <b>Contatti</b> Dorato	<b>Ø 19 mm Current</b> 50 mA  <b>Voltage</b> 24 V <b>Body</b> Nickel plated brass <b>Attuator</b> Nickel plated brass <b>Contacts</b> Gold plated	<b>Ø 19 mm Courant</b> 50 mA  <b>Tension</b> 24 V <b>Corps</b> Laiton nickelé <b>Bouton</b> Laiton nickelé <b>Contacts</b> Doré	
		40 pz 40 pcs 40 pces	pronta in stock en stock	

AV0447	Interruttore basso profilo	Switch low profile	Interrupteur bas profil	
	<b>Ø 22 mm Corrente</b> 3 A  <b>Tensione</b> 250 V <b>Corpo</b> Ottone nichelato <b>Tasto</b> Ottone nichelato <b>Contatti</b> Argento	<b>Ø 22 mm Current</b> 3 A  <b>Voltage</b> 250 V <b>Body</b> Nickel plated brass <b>Attuator</b> Nickel plated brass <b>Contacts</b> Silver	<b>Ø 22 mm Courant</b> 3 A  <b>Tension</b> 250 V <b>Corps</b> Laiton nickelé <b>Bouton</b> Laiton nickelé <b>Contacts</b> Argent	
		25 pz 25 pcs 25 pces	pronta in stock en stock	

IU2187.X - MP0090	Accessori	Accessories	Accessoires	
	<b>Per pulsanti antivandalo</b> Ø 19 mm <b>IU2187.X Cappucci di protezione</b> IU2187.8 trasparente IU2187.2 nero IU2187.3 verde IU2187.6 rosso <b>Materiale</b> Silicone <b>MP0090 Copriforo</b> <b>Materiale</b> Acciaio inox	<b>For antivandal switch</b> Ø 19 mm <b>IU2187.X Protection cover</b> IU2187.8 translucent IU2187.2 black IU2187.3 green IU2187.6 red <b>Material</b> Silicone <b>MP0090 Blank plate</b> <b>Material</b> Stainless steel	<b>Pour poussoirs antivandales</b> Ø 19 mm <b>IU2187.X Capuchon de protection</b> IU2187.8 transparent IU2187.2 noir IU2187.3 vert IU2187.6 rouge <b>Matériau</b> Silicone <b>MP0090 Cache</b> <b>Matériau</b> Acier inox	
		100 pz 100 pcs 100 pces	pronta in stock en stock	

## PULSANTI ANTIVANDALO

Vandal resistant push-buttons | Poussoirs antivandales



### INFORMAZIONI GENERALI | General information | Information générales

La nuova generazione di pulsanti della serie PROTECT è piacevole nell'azionamento – il click che si sente all'atto della pressione del tasto assicura che l'impulso è stato inviato.

La nostra gamma PROTECT è un'opera d'arte e non solo esternamente. I contatti di azionamento sono progettati per corrente elevata, mediante l'utilizzo di una lega di argento ed uno strato di doratura. Anche le basse correnti (per esempio quelle per sistemi di citofonia BUS) sono azionate in tutta sicurezza.

Citofoni a 20 o più pulsanti non sono mai stati così semplici da cablare.

Tutto è cambiato con la gamma PROTECT: basta posizionare i cavetti nei terminali speciali e tutto è pronto. Ciò permette di risparmiare il 90% del tempo.

Persino la connessione incrociata di una comune linea di alimentazione diventa un gioco da ragazzi: i terminali speciali permettono di inserire due cavetti contemporaneamente aventi diametro diverso.

La serie PROTECT è stagna contro l'acqua: una protezione interna in gomma protegge i contatti del pulsante. Inoltre il tasto ed il collare sono perfettamente adattati al punto di essere reciprocamente stagni quando il pulsante non è premuto.

A correnti più elevate la superficie dorata dei contatti di azionamento viene fisicamente erosa. Ciò non è causato da problemi di qualità, ma indica soltanto che il pulsante non può più essere utilizzato per correnti inferiori (nella gamma dei mA).

#### INSTALLAZIONE

- Dima di foratura di 16 mm e spessore pannello da 0,5 mm a 8 mm.
- Profondità non luminosi: 13 mm meno lo spessore del pannello (esempio: se di 2 mm, la profondità è di 11 mm).
- Profondità luminosi: 24 mm meno lo spessore del pannello (esempio: se di 2 mm, la profondità è di 22 mm).
- Risparmio di tempo nel montaggio che non necessita utensili grazie alla ghiera zigrinata avvvitabile manualmente.

This new PROTECT series generation of buttons makes pressing them a delight – the tactile feedback (the button “clicks” when pushed) ensures that your host gets the message. Our PROTECT is a work of art – and not just on the outside. Its switch contacts are laid out for high current, using a silver alloy with a gold layer. Even very low currents (e.g. those for BUS intercom systems) are securely switched.

Door stations with 20 or more bell pushes haven't exactly been fun to wire up until now. It's all changed with PROTECT – just place the wires in the special terminals. Done! this gives you a timesaving of around 90%. Even cross-connecting a common feed line becomes child's play: the special terminals allow two wires to be pushed in at the same time. The diameters of the wires can even be different.

Don't take any chances when installing – PROTECT is watertight! An internal rubber seal protects the switch contacts. In addition, the button and collar are an exact fit, mutually sealing each other when not pressed.

At higher currents the gold surface of the switching contacts is physically eroded. This is not due to quality problems and only signifies that the bell push can subsequently no longer be used for small currents in the mA range.

#### INSTALLATION

- 16 mm (exchange compatible with predecessor types MKO/KKO), plate thickness 0,5 mm to 8 mm.
- Installation without illumination: depth 13 mm minus plate thickness (e.g. for 2 mm plates, 11 mm).
- Installation with illumination: depth 24 mm minus plate thickness (e.g. for 2 mm plates, 22 mm).
- Time-saving fitting without tools through easy-to-grip knurled nut.

La nouvelle génération de poussoirs de la série PROTECT est agréable lors de l'actionnement – le clic perçu au moment de la pression du bouton assure que l'impulsion a été envoyée.

Notre gamme PROTECT est une œuvre d'art et pas seulement du point de vue externe. Les contacts d'actionnement sont conçus pour un courant élevé, au moyen de l'utilisation d'un levier en argent avec une couche dorée. Même les courants bas (par exemple ceux pour des systèmes d'interphone BUS) sont actionnés en toute sécurité.

Des interphones à 20 poussoirs ou plus n'ont jamais été aussi simples à câbler.

Tout a changé avec la gamme PROTECT: il suffit de positionner les fils dans les terminaux spéciaux et tout est prêt. Cela permet d'économiser 90% de temps.

Même la connexion croisée d'une ligne d'alimentation commune devient un jeu d'enfants: les terminaux spéciaux permettent d'insérer en même temps deux fils qui ont un diamètre différent.

La série PROTECT est étanche: une protection interne en caoutchouc protège les contacts du poussoir. En outre, le bouton et l'écrou sont parfaitement adaptés au point d'être tous les deux étanches quand le poussoir est actionné.

A des courants plus élevés, la surface dorée des contacts d'actionnement est physiquement érodée. Ce n'est pas dû à des problèmes de qualité, mais cela indique seulement que le poussoir ne peut plus être utilisé pour des courants inférieurs (dans la gamme des mA).

#### INSTALLATION

- Diamètre de perçage de 16 mm et épaisseur de panneau de 0,5 mm à 8 mm.
- Profondeur non-lumineux: 13 mm moins l'épaisseur du panneau (exemple: si de 2 mm, la profondeur est de 11 mm).
- Profondeur lumineux: 24 mm moins l'épaisseur du panneau (exemple: si de 2 mm, la profondeur est de 22 mm).
- Gain de temps dans le montage qui ne nécessite pas d'outils grâce à la frette crénelée que l'on peut visser manuellement.

## PULSANTI ANTIVANDALO LUMINOSI

Illuminated vandal resistant push-buttons | *Poussoirs antivandales lumineux*



PR 150VA

PR 140GO

PR 510AL

PR 100LED

### PULSANTI ANTIVANDALO PROTECT

Protect vandal resistant switches | *Poussoirs antivandales Protect*

#### Corrente/Tensione

min. 1 mA/5 V - max. 1,5 A/24 V

#### Collare

PR xxxVA acciaio inox  
PR xxxGO ottone dorato  
PR xxxAL alluminio

#### Tasto

PR xxxVA acciaio inox  
PR xxxGO ottone dorato  
PR xxxAL alluminio

#### Resistenza di isolamento

min. 1000 MΩ

#### Temperatura

-20°C +60°C

#### Grado di protezione

IP 54 (dopo l'installazione)

#### LED

0,02 A - 8/12 V



#### Current/Voltage

min. 1 mA/5 V - max. 1,5 A/24 V

#### Collar

PR xxxVA stainless steel  
PR xxxGO gold-plated brass  
PR xxxAL aluminium

#### Actuator

PR xxxVA stainless steel  
PR xxxGO gold-plated brass  
PR xxxAL aluminium

#### Insulation resistance

min. 1000 MΩ

#### Temperature

-20°C +60°C

#### Sealing

IP 54 (when installed)

#### LED

0,02 A - 8/12V

#### Courant/Tension

min. 1 mA/5 V - max. 1,5 A/24 V

#### Collier

PR xxxVA acier inox  
PR xxxGO laiton doré  
PR xxxAL aluminium

#### Bouton

PR xxxVA acier inox  
PR xxxGO laiton doré  
PR xxxAL aluminium

#### Résistance d'isolation

min. 1000 MΩ

#### Température

-20°C +60°C

#### Indice de protection

IP 54 (après l'installation)

#### LED

0,02 A - 8/12 V



PR 680KS

PR 681KS

### PULSANTI ANTIVANDALO PROTECT

Protect vandal resistant switches | *Poussoirs antivandales Protect*

#### Corrente/Tensione

min. 1 mA/5 V - max. 1,5 A/24 V

#### Collare

Plastica

#### Tasto

Plastica

#### Resistenza di isolamento

min. 1000 MΩ

#### Temperatura

-20°C +60°C

#### Grado di protezione

IP 54 (dopo l'installazione)



#### Current/Voltage

min. 1 mA/5 V - max. 1,5 A/24 V

#### Collar

Plastic

#### Actuator

Plastic

#### Insulation resistance

min. 1000 MΩ

#### Temperature

-20°C +60°C

#### Sealing

IP 54 (when installed)

#### Courant/Tension

min. 1 mA/5 V - max. 1,5 A/24 V

#### Collier

Plastique

#### Bouton

Plastique

#### Résistance d'isolation

min. 1000 MΩ

#### Température

-20°C +60°C

#### Indice de protection

IP 54 (après l'installation)

Code	Ø Collare	Ø Tasto	Collare	Tasto
Code	Ø Collier	Ø Actuator	Collar	Actuator
Code	Ø Collier	Ø Bouton	Collier	Bouton
PR150VA	22,0	14,5	acciaio inox	acciaio inox
PR140GO	22,0	14,5	ottone dorato	ottone dorato
PR110AL	22,0	14,5	alluminio	alluminio
PR550VA	22,0	16,8	acciaio inox	acciaio inox
PR510AL	22,0	16,8	alluminio	alluminio
<b>Protect luminosi   Protect with illumination   Protect lumineux</b>				
PR101LED	22,0	14,6	alluminio	plastica
PR100LED	22,0	14,6	alluminio	plastica
PR102LED	22,0	14,6	ottone dorato	plastica
PR105LED	22,0	14,6	acciaio inox	plastica

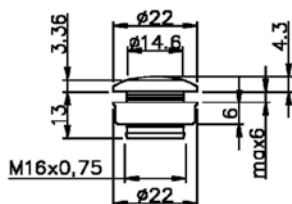


Code	Dim. collare	Dim. tasto	Collare	Tasto
Code	Collar dim.	Actuator dim.	Collar	Actuator
Code	Dim. collier	Dim. bouton	Collier	Bouton
PR680 KS	20,0 x 22,0	13,5 x 16,0	plastica	plastica
PR681KS	20,0 x 22,0	13,5 x 16,0	plastica	plastica

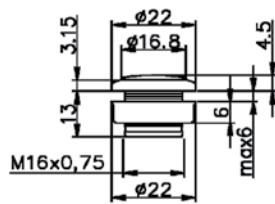


### Dimensioni | Dimensions | Dimensions

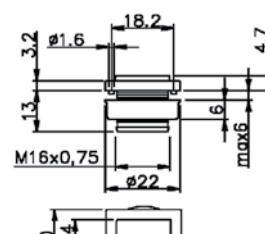
PR 1xx XX



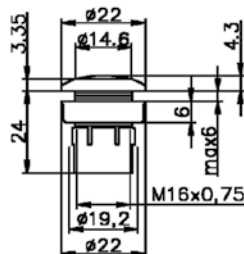
PR 5xx XX



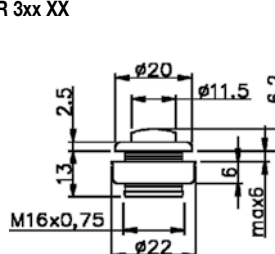
PR 6xx KS



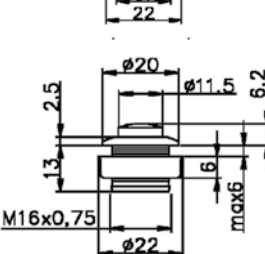
PR 1xx LED



PR 3xx XX



PR 4xx XX



## PULSANTI ANTIVANDALO

Vandal resistant push-buttons | *Poussoirs antivandales*



PR 380KS



PR 360CR



PR 340GO

### PULSANTI ANTIVANDALO PROTECT

Protect vandal resistant switches | *Poussoirs antivandales Protect*

#### Corrente/Tensione

min. 1 mA/5 V - max. 1,5 A/24 V

#### Collare

PR xxxGO ottone dorato  
PR xxxAL alluminio  
PR xxxCR ottone cromato  
PR xxxKS plastica

#### Tasto

PR xxxGO ottone dorato  
PR xxxAL alluminio  
PR xxxCR ottone cromato  
PR xxxKS plastica

#### Resistenza di isolamento

min. 1000 M $\Omega$

#### Temperatura

-20°C +60°C

#### Grado di protezione

IP 54 (dopo l'installazione)

#### Current/Voltage

min. 1 mA/5 V - max. 1,5 A/24 V

#### Collar

PR xxxGO gold-plated brass  
PR xxxAL aluminium  
PR xxxCR chromed brass  
PR xxxKS plastic

#### Actuator

PR xxxGO gold-plated brass  
PR xxxAL aluminium  
PR xxxCR chromed brass  
PR xxxKS plastic

#### Insulation resistance

min. 1000 M $\Omega$

#### Temperature

-20°C +60°C

#### Sealing

IP 54 (when installed)

#### Courant/Tension

min. 1 mA/5 V - max. 1,5 A/24 V

#### Collier

PR xxxGO laiton doré  
PR xxxAL aluminium  
PR xxxCR laiton chromé  
PR xxxKS plastique

#### Bouton

PR xxxGO laiton doré  
PR xxxAL aluminium  
PR xxxCR laiton chromé  
PR xxxKS plastique

#### Résistance d'isolation

min. 1000 M $\Omega$

#### Température

-20°C +60°C

#### Indice de protection

IP 54 (après l'installation)



Code Code	Ø Collare Ø Collar Ø Collier	Ø Tasto Ø Actuator Ø Bouton	Collare Collar Collier	Tasto Actuator Bouton
PR340GO	20,0	11,5	ottone dorato	ottone dorato
PR310AL	20,0	11,5	alluminio	alluminio
PR360CR	20,0	11,5	ottone cromato	ottone cromato
PR380KS	20,0	11,5	plastica	plastica
PR381KS	20,0	11,5	plastica	plastica



Vantaggi | Advantage | Avantages

#### Completa affidabilità

Total reliability | Fiabilité totale

- Contatti di azionamento dorati - gold-plated switching contacts - contacts d'azionamento dorés
- Riscontro tattile mediante effetto a scatto - tactile feedback through snap effect - contrôle tactile au moyen d'un effet à déclenchement

#### Tempo di installazione ridotto del 90%

Installation time reduced by 90% | Temps d'installation réduit de 90%

- Non più necessità di avvitamento - no more screwing needed - le vissage n'est plus nécessaire
- Terminali doppi per connessione incrociata - twin terminals for easy cross-connection - doubles terminaux pour connexion croisée

#### Lungo ciclo di durata

Long service life | Long cycle de durée

- Protezione in gomma dei contatti di azionamento - rubber seal to protect switching contacts - protection en caoutchouc des contacts d'azionement
- Combinazioni di materiale di elevata qualità - high-quality material combinations - combinaisons de matériel de haute qualité

#### Tecnologia di illuminazione innovativa

Innovative illumination technology | Technologie d'éclairage innovatrice

- Modulo LED per connessione diretta a 8/12V - LED module for direct connection to 8/12V - module LED pour connexion directe à 8/12V -
- Non più lampade da sostituire - no more exchanging of spare lamps - plus de lampe à remplacer



PR 450VA



PR 420ALKS



PR 410AL

### PULSANTI ANTIVANDALO PROTECT

Protect vandal resistant switches | *Poussoirs antivandales Protect*

#### Corrente/Tensione

min. 1 mA/5 V - max. 1,5 A/24 V

#### Collare

PR xxxVA acciaio inox  
PR xxxALKS alluminio  
PR xxxAL alluminio

#### Tasto

PR xxxVA acciaio inox  
PR xxxALKS plastica  
PR xxxAL alluminio

#### Resistenza di isolamento

min. 1000 M $\Omega$

#### Temperatura

-20°C +60°C

#### Grado di protezione

IP 54 (dopo l'installazione)

#### Current/Voltage

min. 1 mA/5 V - max. 1,5 A/24 V

#### Collar

PR xxxVA stainless steel  
PR xxxALKS aluminium  
PR xxxAL aluminium

#### Actuator

PR xxxVA stainless steel  
PR xxxALKS plastic  
PR xxxAL aluminium

#### Insulation resistance

min. 1000 M $\Omega$

#### Temperature

-20°C +60°C

#### Sealing

IP 54 (when installed)

#### Courant/Tension

min. 1 mA/5 V - max. 1,5 A/24 V

#### Collier

PR xxxVA acier inox  
PR xxxALKS aluminium  
PR xxxAL aluminium

#### Bouton

PR xxxVA acier inox  
PR xxxALKS plastique  
PR xxxAL aluminium

#### Résistance d'isolation

min. 1000 M $\Omega$

#### Température

-20°C +60°C

#### Indice de protection

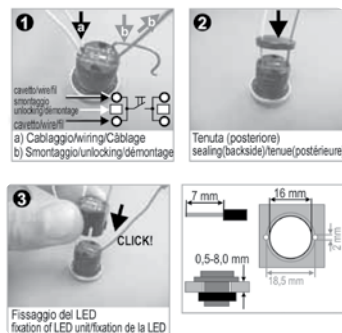
IP 54 (après l'installation)



Code Code	Ø Collare Ø Collar Ø Collier	Ø Tasto Ø Actuator Ø Bouton	Collare Collar Collier	Tasto Actuator Bouton
PR450VA	20,0	11,5	acciaio inox	acciaio inox
PR420ALKS	20,0	11,5	alluminio	plastica
PR410AL	20,0	11,5	alluminio	alluminio



Istruzioni di montaggio | Installation instruction | Instruction de montage



#### DATI TECNICI

- max. 24 V  $\approx$  (AC/DC) / 1,5 A
- solo per protezione di bassa tensione
- cavetto rigido 0,6 - 0,8 mm
- cavetto flessibile: prima smontare (1.b)
- -20°C... 60°C/IP54
- forza di lavoro 6,0 N

#### TECHNICAL DATA

- max. 24 V  $\approx$  (AC/DC) / 1,5 A
- protective low voltage only
- wire rigid 0,6 - 0,8 mm
- unlocking first (1.b)
- -20°C... 60°C/IP54
- operating force 6,0 N

#### DONNÉES TECHNIQUES

- max. 24 V  $\approx$  (AC/DC) / 1,5 A
- seulement pour une protection de basse tension
- fil rigide 0,6 - 0,8 mm
- fil flexible: d'abord démonter (1.b)
- -20°C... 60°C/IP54
- force de travail 6,0 N